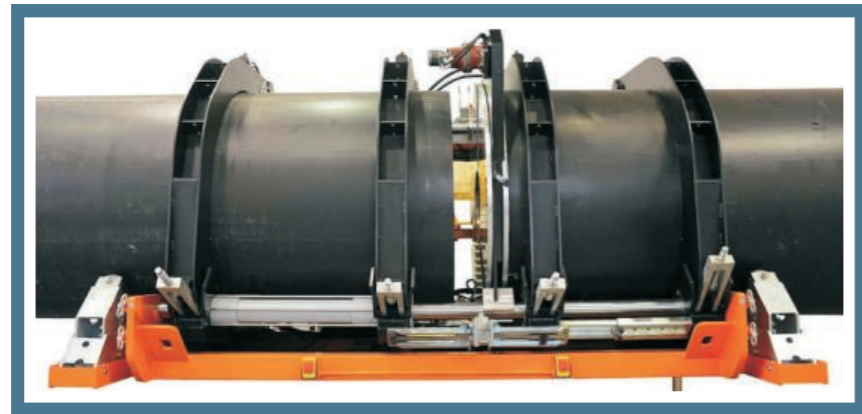


SUNPLAST



NINGBO SUNPLAST PIPE CO.,LTD

ADD: LUOTUO INDUSTRIAL AREA, ZHENHAI DISTRICT, NINGBO CITY, ZHEJIANG PROVINCE, CHINA

TEL: 0086-574-87226883 / 87467583

FAX: 0086-574-87467583

WEBSITE: [HTTP://WWW.SUNPLASTPIPE.COM](http://www.sunplastpipe.com)

EMAIL: EXPORT@SUNPLASTPIPE.COM SUNPLASTPIPE@GMAIL.COM

ONLINE CONTACT:

WHATSAPP: 0086-15968493053

SKYPE: POLYPIPE-MANUFACTURER



HDPE

<http://www.sunplastpipe.com>

CONTENT

Company Introduction002

Product Introduction.....003-004

HDPE Water Pipe.....005

Socket Fusion Fittings.....006-010

PP Compression Fittings.....011-014

Butt Fusion Fittings.....015-028

Fabricated Fittings.....029-030

Electro Fusion Fittings.....031-034

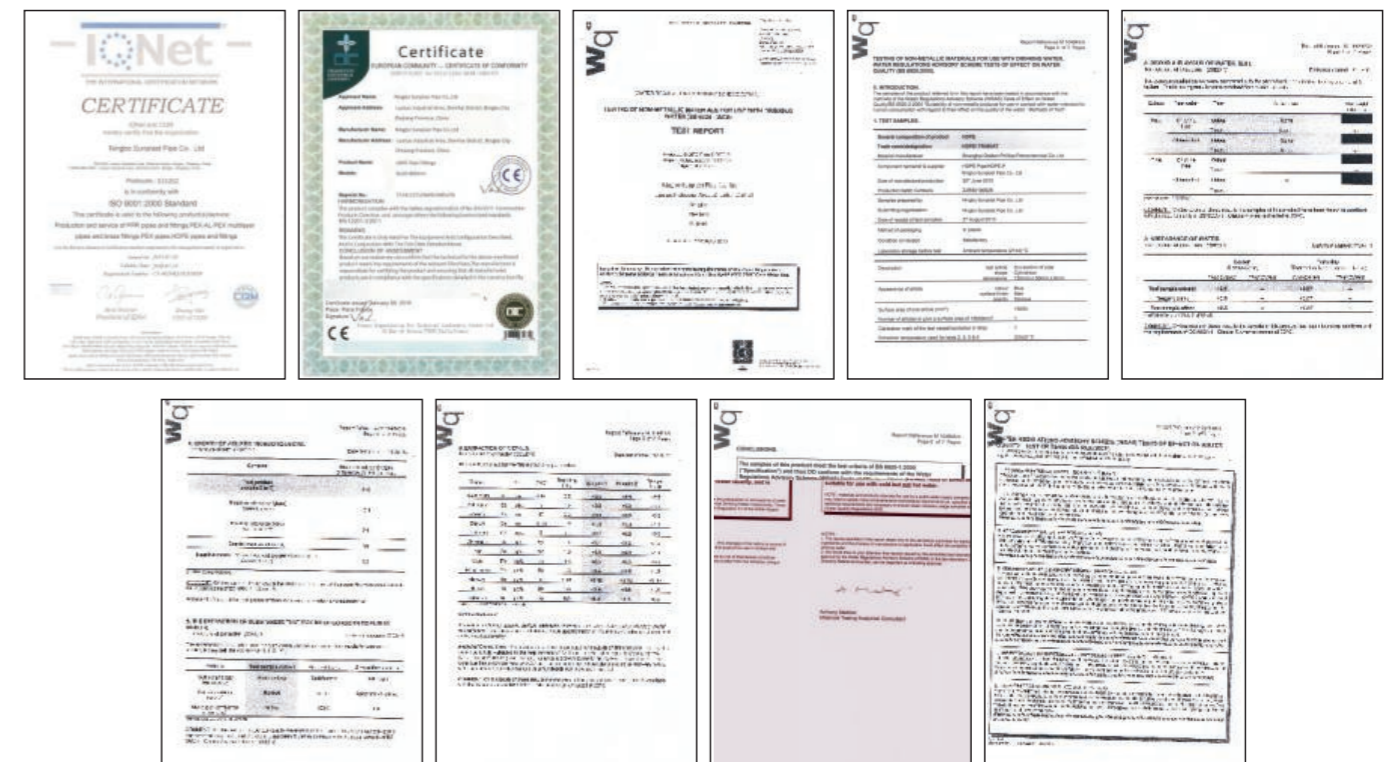
Welding Machines.....035

COMPANY BRIEF INTRODUCTIN

Ningbo Sunplast Pipe Co., Ltd, which was founded in 2000, has been focusing on manufacturing of HDPE piping systems for more than 15 years. We initially tarted the business as a micro factory which had less 5 workers & only one extrusion line for small size HDPE pipe, but now, Sunplast has been growing to be a modern international factory that major in the professional production of HDPE pipes from dn20-1000mm, HDPE pipe fittings from dn20-800mm, HDPE pipe welding machines etc, which are widely used for gas & water. With two workshops located in Ningbo city & Zhuji city, Zhejiang province, the company has over 100 employees and more than 10000 square meters workshop. Equipped with world advanced automatic pipe extrusion lines & fittings injection machines, the company's annual output of HDPE reaches over 3000 tons.

As a modern & hi-tech enterprise, Sunplast has mature technique、 advanced production machines、 professional workers & rich experience, as well as strict quality control system. The company has passed ISO9001:2000 certificate, ISO14001:2004 certificate. The HDPE pipes & fittings are approved by CE certificate ,etc. Till now, Sunplast has extended its business to over 15 countries and areas in the world.

Sticking to the managing guideline of “ quality is life, technology is leading force, client's satisfaction is ultimate target” all the while, we are getting more and more business opportunity from all over the world. We warmly welcome the customers from abroad to inquire to us, and build a “win-win” business relationship together.



RODUCTION STANDARD

SUNPLAST HDPE pipes & fittings are made according to ISO4427:1996 standard with top quality PE100 or PE80 materials. At the same time, they can fully comply with AS/NZS4130 / EN 12201 standards & other international standards for HDPE pipes & fittings.

FEATURE

1. Long life: 50 years at least under normal condition.
2. Sanitary reaches GB/T17219-1998 standard, no heavy metal, no poison, no germ.
3. Resist chemical erosion.
4. With smooth wall, low friction and good resist grind performance.
5. High tenacity and anti-impact intensity.
6. Transportation and installation convenient.
7. Unique and simple welding mode: electro-fusion & heat melting.
8. The color of HDPE water supply pipe has blue or black with blue strips for choice.
9. Gas pipe has yellow or black with yellow strips for choice.

MAIN APPLICATION

SUNPLAST HDPE pipes & fittings are largely applied to municipal, architecture, replacement of old generation pipes, industry as well as sewage treatment. outer door gas delivery But HDPE pipe is not suitable for house fire pipes and hot water supply.

HDPE DRINKING PIPE MATERIAL

1. The HDPE pipes manufactured by SUNPLAST company are honored with various certificates issued by Quality Inspection Office and Health Authority.
2. SUNPLAST pipes are made of superior PE100 or PE80 raw materials from famous manufacturers, such as: HE 3490-LS from Borealis, CRP100 from Basell and YGH041T from Sinopec, etc.
3. The color of SUNPLAST pipes will be black with four blue strips or blue color. HDPE pipes & fittings with black color should contain 2%-2.5% black carbon.
4. The standard length is 5.8 meters or 11.8 meters for container loading. Pipes with less than 63mm outer diameter would be packed in coil, also it could be decided at clients' request
5. The performance of SUNPLAST pipes comply with the standard <HDPE pipes for water>, see the below table for its physical performance:



Item	Technical Index	
Density (g/cm ³)	0.941~0.965	
Black Carbon Content	2 ~ 2.5%	
Vica Softening Point (°C)	≥126	
Melt Flow Rate, 190°C, 5kg (g/10min)	0.2 ~ 1.4	
Longitudinal Shrinking Rate	≤3%	
Elastic Modulus (Mpa)	600 ~ 900	
Coefficient Of Linear Expansion (mm/m°C)	0.16 ~ 0.20	
Oxidation Induced Time , 200°C (min)	≥20	
Extension Rate Break	≥350%	
Hydraulic test for PE100 pipe	20°C, 100h, Circumferential Stress 2.4Mpa	No leakage/no rupture
	80°C, 165h, Circumferential Stress 5.5Mpa	No leakage/no rupture
	80°C, 1000h, Circumferential Stress 5.0Mpa	No leakage/no rupture
Hydraulic test for PE80 pipe	20°C, 100h, Circumferential Stress 9.0Mpa	No leakage/no rupture
	80°C, 165h, Circumferential Stress 4.6Mpa	No leakage/no rupture
	80°C, 1000h, Circumferential Stress 4.0Mpa	No leakage/no rupture

<Note>: Black Carbon Content is only applicable to HDPE pipes with black color.

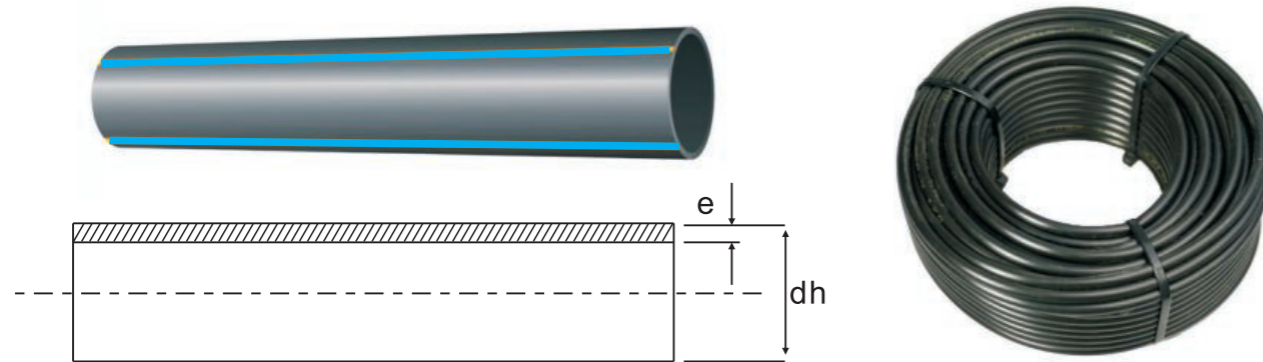
6. SUNPLAST pipes have 5 SDR grades: SDR26, SDR21, SDR17, SDR13.6 and SDR11. Different SDR has different PN for PE100 pipes & PE80 pipes. See below:

HDPE Pipe	SDR (Standard Dimension Ratio)				
	SDR26	SDR21	SDR17	SDR13.6	SDR11
	PN, Mpa (Normal Working Pressure)				
PE100 Pipe	0.6	0.8	1.0	1.25	1.6
PE80 Pipe	0.5	0.6	0.8	1.0	1.25

7. SUNPLAST company can provide full sizes of HDPE fittings, which include: socket fusion fittings, PP compression fittings, butt fusion fittings, electric fusion fittings, fabricated fittings. etc.



HDPE WATER PIPE





SDR Ratings	SDR26	SDR21	SDR17	SDR13.6	SDR11
Material Grade	NORMAL PRESSURE RATING (MPa)				
Pe80 material	0.5	0.6	0.8	1.0	1.25
Pe100 material	0.6	0.8	1.0	1.25	1.6
NORMINAL DIAMETER dn (mm)	WALL THICKNESS e (mm)				
20					2.0
25					2.3
32					2.9
40				3.0	3.7
50				3.7	4.6
63				4.7	5.8
75			4.5	5.6	6.8
90		4.3	5.4	6.7	8.2
110	4.2	5.3	6.6	8.1	10.0
125	4.8	6.0	7.4	9.2	11.4
140	5.4	6.7	8.3	10.3	12.7
160	6.2	7.7	9.5	11.8	14.6
180	6.9	8.6	10.7	13.3	16.4
200	7.7	9.6	11.9	14.7	18.2
225	8.6	10.8	13.4	16.6	20.5
250	9.6	11.9	14.8	18.4	22.7
280	10.7	13.4	16.6	20.6	25.4
315	12.1	15.0	18.7	23.2	28.6
355	13.6	16.9	21.1	26.1	32.2
400	15.3	19.1	23.7	29.4	36.3
450	17.2	21.5	26.7	33.1	40.9
500	19.1	23.9	29.7	36.8	45.4
560	21.4	26.7	33.2	41.2	50.8
630	24.1	30.0	37.4	46.3	57.2
710	27.2	33.9	42.1		
800	30.6	38.1	47.4		
900	34.4	42.9	53.3		
1000	38.2	47.7	59.3		


Remark: ※ SDR refers to the ratio between normal outer diameter and wall thickness.
 ※ Pipe size dn20-dn63 can be straight pipe or in coils.
 ※ The standard length of the pipes is 5.8 or 11.8 meters length, or as per request.

SOCKET FUSION FITTINGS


PRODUCT NAME			
Socket 	CODE	SIZE (mm)	PACKAGE (PCS/bag)
	RS-3002	S20	1400
		S25	800
		S32	480
		S40	240
		S50	180
		S63	100
	S75	80	
	S90	40	
	S110	36	
Elbow 45° 	RS-3003	L20×45°	1000
		L25×45°	640
		L32×45°	340
		L40×45°	200
		L50×45°	90
		L63×45°	50
		L75×45°	40
	L90×45°	25	
	L110×45°	15	
Elbow 90° 	RS-3004	L20×90°	1000
		L25×90°	640
		L32×90°	340
		L40×90°	200
		L50×90°	90
		L63×90°	50
		L75×90°	40
	L90×90°	25	
	L110×90°	10	
Equal Tee 	RS-3005	T20	720
		T25	400
		T32	240
		T40	100
		T50	80
		T63	40
		T75	35
		T90	20
		T110	10


PRODUCT NAME			
Reducer	CODE	SIZE (mm)	PACKAGE (PCS/bag)
	RS-3006	S25×20	1200
		S32×20	700
		S32×25	600
		S40×25	360
		S40×32	300
		S50×25	300
		S50×32	280
		S50×40	200
		S63×20	150
		S63×25	150
		S63×32	110
		S63×40	110
		S63×50	110
		S75×40	90
		S90×63	70
		S90×75	70
	S110×75	40	
	S110×90	40	

PRODUCT NAME			
End Cap	CODE	SIZE (mm)	PACKAGE (PCS/bag)
	RS-3007	D20	1800
		D25	1000
		D32	900
		D40	660
		D50	440
		D63	220
		D75	170
		D90	140
		D110	60



PRODUCT NAME			
Male Union	CODE	SIZE (mm)	PACKAGE (PCS/bag)
	RS-3008	20×1/2"	250
		25×3/4"	200
		32×1"	120
		40×1-1/4"	50
		50×1-1/2"	40
		63×2"	30

PRODUCT NAME			
Reducing Tee	CODE	SIZE (mm)	PACKAGE (PCS/bag)
	RS-3009	T25×20	480
		T32×20	320
		T32×25	240
		T40×20	180
		T40×25	180
		T40×32	150
		T50×25	120
		T50×32	120
		T50×40	90
		T63×32	60
		T63×40	60
		T63×50	50
		T75×40	35
		T75×50	35
		T75×63	35
		T90×75	20
	T110×90	10	





PRODUCT NAME			
Female Socket	CODE	SIZE (mm)	PACKAGE (PCS/bag)
	RS-3010	S20×1/2"	600
		S25×3/4"	400
		S32×1"	220
		S40×1-1/4"	160
		S50×1-1/2"	80
		S63×2"	60




PRODUCT NAME			
Female Union	CODE	SIZE (mm)	PACKAGE (PCS/bag)
	RS-3011	20×1/2"	250
		25×3/4"	200
		32×1"	120
		40×1-1/4"	50
		50×1-1/2"	40
		63×2"	30

PRODUCT NAME			
Male Socket 	CODE	SIZE (mm)	PACKAGE (PCS/bag)
	RS-3012	S20×1/2"	600
		S25×3/4"	400
		S32×1"	220
		S40×1-1/4"	160
		S50×1-1/2"	80
		S63×2"	60
Female Elbow 	RS-3013	L20×1/2"	350
		L25×3/4"	280
		L32×1"	150
		L40×1-1/4"	100
		L50×1-1/2"	60
		L63×2"	50
Male Elbow 	RS-3014	L20×1/2"	350
		L25×3/4"	280
		L32×1"	150
		L40×1-1/4"	100
		L50×1-1/2"	60
		L63×2"	50
Female Tee 	RS-3015	T20×1/2"	360
		T25×3/4"	230
		T32×1"	160
		T40×1-1/4"	80
		T50×1-1/2"	60
		T63×2"	50



PRODUCT NAME			
Male Tee 	CODE	Specification	PACKAGE
	RS-3016	T20×1/2"	360
		T25×3/4"	230
		T32×1"	160
		T40×1-1/4"	80
		T50×1-1/2"	60
		T63×2"	50
Stop Valve 	RS-3017	V20	140
		V25	100
		V32	90
		V40	42
		V50	36
		V63	20
		V75	18
		V90	12
		V110	10
		V160	5

PP COMPRESSION FITTINGS

PRODUCT NAME			
Equal Socket 	CODE	SIZE (mm)	PACKAGE (PCS/bag)
	RS-3018	S20	168
		S25	100
		S32	68
		S40	30
		S50	22
		S63	11
		S75	8
		S90	6
		S110	6
Elbow 90° 	RS-3019	L20×90°	150
		L25×90°	88
		L32×90°	52
		L40×90°	26
		L50×90°	15
		L63×90°	11
		L75×90°	6
		L90×90°	4
L110×90°	4		
Equal Tee 	RS-3020	T20	96
		T25	54
		T32	27
		T40	20
		T50	9
		T63	7
		T75	6
		T90	4
		T110	3
End Cap 	RS-3021	D20	260
		D25	166
		D32	120
		D40	66
		D50	45
		D63	20
		D75	16
		D90	12
		D110	12

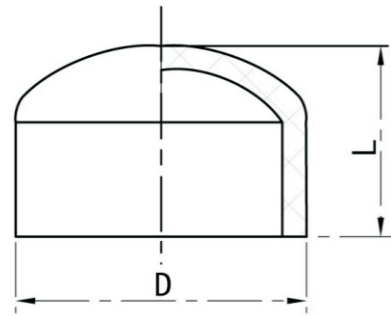
PRODUCT NAME			
Reducer 	CODE	SIZE (mm)	PACKAGE (PCS/bag)
	RS-3022	S25×20	120
		S32×20	80
		S32×25	74
		S40×25	40
		S40×32	40
		S50×25	27
		S50×32	26
		S50×40	25
		S63×32	19
		S63×40	18
		S63×50	12
		S75×50	9
		S75×63	9
		S90×63	6
		S90×75	6
S110×90	6		
Reducing Tee 	RS-3023	T25×20	60
		T32×20	40
		T32×25	40
		T40×25	20
		T40×32	20
		T50×25	12
		T50×32	12
		T50×40	12
		T63×50	7
		T75×50	6
		T75×63	6
T90×63	4		
T90×75	4		
T110×90	3		
Female Socket 	RS-3024	S20×1/2"	222
		S25×1/2"	150
		S25×3/4"	150
		S32×3/4"	100
		S32×1"	100
		S40×1-1/4"	60
		S50×1-1/2"	40
		S63×2"	20
		S75×2-1/2"	16
		S90×3"	12
S110×4"	6		

PRODUCT NAME			
Male Socket 	CODE	SIZE (mm)	PACKAGE (PCS/bag)
	RS-3025	S20×1/2"	222
		S25×1/2"	150
		S25×3/4"	150
		S32×3/4"	100
		S32×1"	100
		S40×1-1/4"	60
		S50×1-1/2"	40
		S63×2"	20
		S75×2-1/2"	16
		S90×3"	12
	S110×4"	6	
Female Elbow 	RS-3026	L20×1/2"	204
		L25×3/4"	150
		L32×1"	80
		L40×1-1/4"	32
		L50×1-1/2"	20
		L63×2"	18
		L75×2-1/2"	7
		L90×3"	5
	L110×4"	4	
Male Elbow 	RS-3027	L20×1/2"	204
		L25×3/4"	150
		L32×1"	80
		L40×1-1/4"	32
		L50×1-1/2"	20
		L63×2"	18
		L75×2-1/2"	7
		L90×3"	5
	L110×4"	4	
Female Tee 	RS-3028	T20×1/2"	96
		T25×3/4"	60
		T32×1"	40
		T40×1-1/4"	26
		T50×1-1/2"	20
		T63×2"	13
		T75×2-1/2"	9
		T90×3"	6
		T110×4"	4

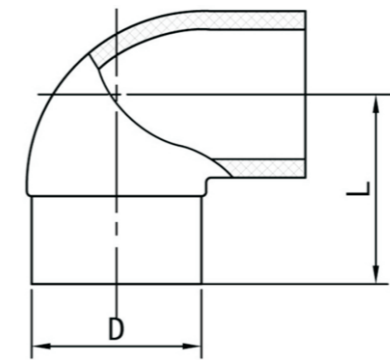
PRODUCT NAME			
Male Tee 	CODE	SIZE (mm)	PACKAGE (PCS/bag)
	RS-3029	T20×1/2"	96
		T25×3/4"	60
		T32×1"	40
		T40×1-1/4"	26
		T50×1-1/2"	20
		T63×2"	13
		T75×2-1/2"	9
		T90×3"	6
		T110×4"	4
	Flange 	RS-3030	L40×1-1/2"
		L50×1-1/2"	16
		L50×2"	16
		L63×2"	16
		L63×2-1/2"	12
		L75×2-1/2"	6
		L75×3"	6
		L90×3"	6
		L110×4"	6

BUTT FUSION FITTINGS

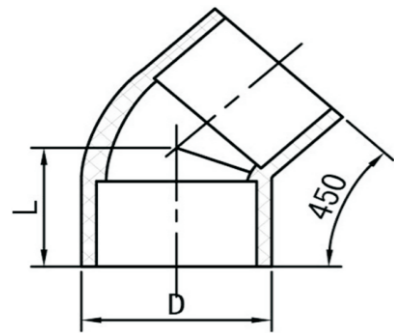
PRODUCT NAME				
End Cap	CODE	SIZE (mm)	DIMENSION (mm)	
	RS-3031		D	L
			D75	75
		D90	90	92.5
		D110	110	105
		D125	125	113
		D140	140	115
		D160	160	125
		D180	180	124
		D200	200	128
		D225	225	137
		D250	250	140
		D280	280	140
		D315	315	142
		D355	355	171
		D400	400	175
		D450	450	168
		D500	500	170
		D560	560	178
		D630	630	170
		D710	710	160
		D800	800	160
		D900	900	160
		D1000	1000	160
		D1200	1200	200



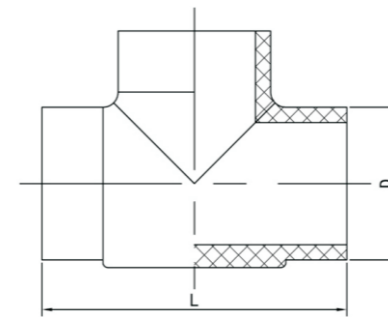
PRODUCT NAME				
Elbow 90°	CODE	SIZE (mm)	DIMENSION (mm)	
	RS-3032		D	L
			L63×90°	63
		L75×90°	75	111.5
		L90×90°	90	121
		L110×90°	110	136
		L125×90°	125	152
		L140×90°	140	155
		L160×90°	160	161
		L180×90°	180	185
		L200×90°	200	191
		L225×90°	225	235
		L250×90°	250	232
		L280×90°	280	250
		L315×90°	315	272.5
		L355×90°	355	318.5
		L400×90°	400	322
		L450×90°	450	360
		L500×90°	500	400
		L560×90°	560	440
		L630×90°	630	470
		L710×90°	710	495
		L800×90°	800	590



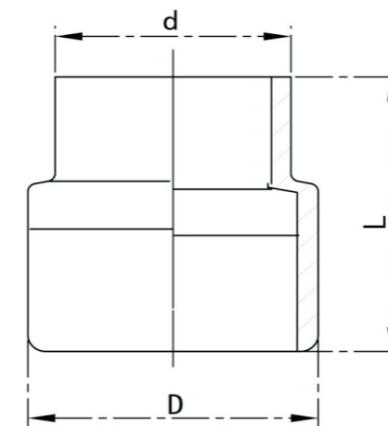
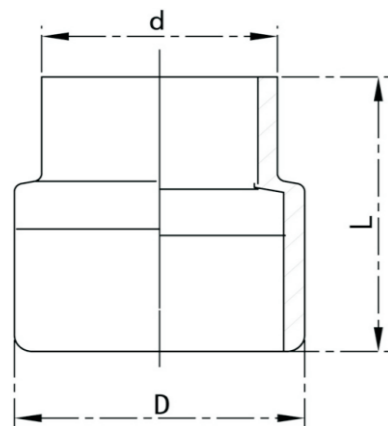
PRODUCT NAME			
Elbow 45°	CODE	SIZE (mm)	DIMENSION (mm)
	RS-3033		D L
		L63×45°	63 82
		L75×45°	75 86
		L90×45°	90 95
		L110×45°	110 102
		L125×45°	125 158
		L140×45°	140 175
		L160×45°	160 115
		L180×45°	180 210
		L200×45°	200 125
		L225×45°	225 255
		L250×45°	250 187
		L280×45°	280 292
		L315×45°	315 180
		L355×45°	355 215
		L400×45°	400 200
		L450×45°	450 424
		L500×45°	500 468
		L560×45°	560 515
		L630×45°	630 565
		L710×45°	710 660
		L800×45°	800 730



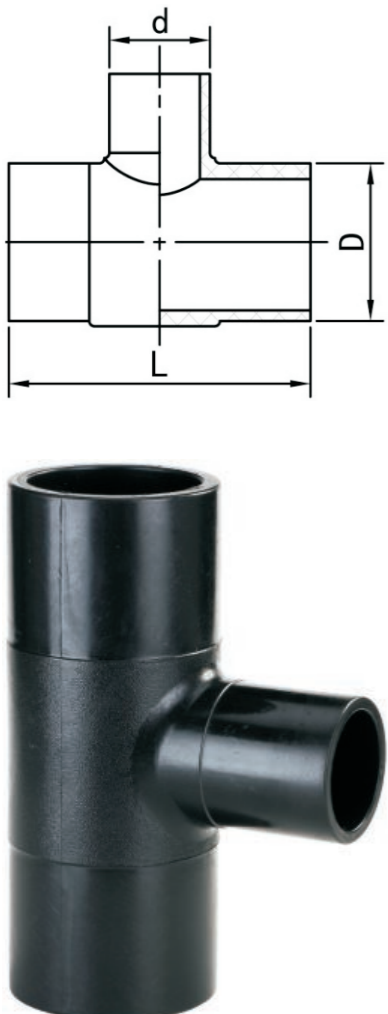
PRODUCT NAME			
Equal Tee	CODE	SIZE (mm)	DIMENSION (mm)
	RS-3034		D L
		T63	63 215
		T75	75 230
		T90	90 242
		T110	110 270
		T125	125 305
		T140	140 320
		T160	160 325
		T180	180 400
		T200	200 385
		T225	225 475
		T250	250 480
		T280	280 530
		T315	315 555
		T355	355 565
		T400	400 658
		T450	450 740
		T500	500 790
		T560	560 885
		T630	630 970
		T710	710 1140
		T800	800 1260



PRODUCT NAME					
Reducer	CODE	SIZE (mm)	DIMENSION (mm)		
	RS-3037		D	d	L
		S75×50	75	50	130
		S75×63	75	63	130
		S90×50	90	50	150
		S90×63	90	63	160
		S90×75	90	75	165
		S110×50	110	50	155
		S110×63	110	63	158
		S110×75	110	75	165
		S110×90	110	90	175
		S125×63	125	63	166
		S125×75	125	75	170
		S125×90	125	90	176
		S125×110	125	110	178
		S140×63	140	63	180
		S140×75	140	75	180
		S140×90	140	90	198
		S140×110	140	110	194
		S140×125	140	125	208
		S160×50	160	50	190
		S160×63	160	63	190
		S160×75	160	75	200
		S160×90	160	90	203
		S160×110	160	110	205
		S160×125	160	125	210
		S160×140	160	140	220
		S180×110	180	110	200
		S180×125	180	125	200
		S180×140	180	140	200
		S180×160	180	160	170
		S200×63	200	63	215
		S200×75	200	75	215
		S200×90	200	90	212
		S200×110	200	110	210
		S200×125	200	125	210
		S200×160	200	160	230
		S200×180	200	180	210
		S225×63	225	63	225
		S225×75	225	75	225
		S225×90	225	90	225
		S225×110	225	110	230
		S225×160	225	160	248
		S225×200	225	200	218
		S250×63	250	63	215
		S250×75	250	75	225
		S250×90	250	90	225
		S250×110	250	110	235
		S250×125	250	125	232
		S250×160	250	160	245
		S250×200	250	200	255
		S250×225	250	225	268

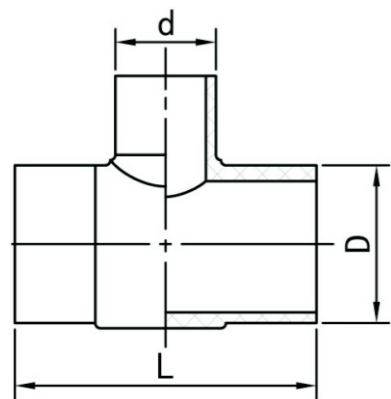


	S280×110	280	110	255
	S280×125	280	125	255
	S280×140	280	140	255
	S280×160	280	160	255
	S280×180	280	180	245
	S280×200	280	200	255
	S280×225	280	225	255
	S280×250	280	250	255
	S315×90	315	90	230
	S315×110	315	110	235
	S315×125	315	125	228
	S315×160	315	160	250
	S315×200	315	200	265
	S315×225	315	225	272
	S315×250	315	250	270
	S315×280	315	280	240
	S355×110	355	110	270
	S355×160	355	160	280
	S355×200	355	200	265
	S355×225	355	225	265
	S355×250	355	250	260
	S355×280	355	280	245
	S355×315	355	315	245
	S400×200	400	200	270
	S400×225	400	225	275
	S400×250	400	250	270
	S400×315	400	315	230
	S400×355	400	355	235
	S450×200	450	200	270
	S450×225	450	225	270
	S450×250	450	250	280
	S450×280	450	280	265
	S450×315	450	315	270
	S450×355	450	355	275
	S450×400	450	400	280
	S500×200	500	200	280
	S500×225	500	225	280
	S500×250	500	250	280
	S500×280	500	280	280
	S500×315	500	315	270
	S500×355	500	355	265
	S500×400	500	400	275
	S500×450	500	450	280
	S560×315	560	315	280
	S560×355	560	355	280
	S560×400	560	400	280
	S560×450	560	450	280
	S560×500	560	500	280
	S630×315	630	315	285
	S630×355	630	355	300
	S630×400	630	400	300
	S630×450	630	450	300
	S630×500	630	500	300
	S630×560	630	560	300

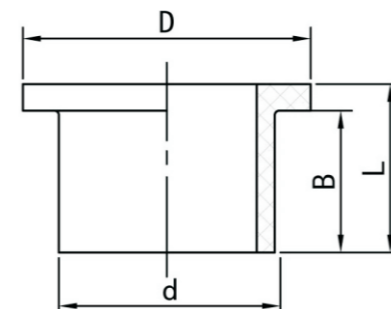
PRODUCT NAME					
Reducing Tee	CODE	SIZE (mm)	DIMENSION (mm)		
	RS-3038		D	d	L
		T75×50	75	50	240
		T75×63	75	63	240
		T90×50	90	50	280
		T90×63	90	63	280
		T90×75	90	75	280
		T110×50	110	50	280
		T110×63	110	63	250
		T110×75	110	75	280
		T110×90	110	90	310
		T125×63	125	63	300
		T125×75	125	75	300
		T125×90	125	90	300
		T125×110	125	110	330
		T140×63	140	63	350
		T140×75	140	75	350
		T140×90	140	90	350
		T140×110	140	110	350
		T140×125	140	125	350
		T160×50	160	50	250
		T160×63	160	63	280
		T160×75	160	75	340
		T160×90	160	90	340
		T160×110	160	110	330
		T160×125	160	125	290
	T180×90	180	90	400	
	T180×110	180	110	420	
	T180×125	180	125	420	
	T180×160	180	160	420	
	T200×63	200	63	330	
	T200×75	200	75	380	
	T200×90	200	90	380	
	T200×110	200	110	370	
	T200×125	200	125	390	
	T200×140	200	140	460	
	T200×160	200	160	420	
	T200×180	200	180	460	
	T225×63	225	63	400	
	T225×75	225	75	400	
	T225×90	225	90	400	

	T225×110	225	110	400
	T225×160	225	160	500
	T225×200	225	200	500
	T250×63	250	63	420
	T250×75	250	75	410
	T250×90	250	90	420
	T250×110	250	110	410
	T250×160	250	160	560
	T250×200	250	200	560
	T250×225	250	225	480
	T280×110	280	110	570
	T280×160	280	160	570
	T280×200	280	200	570
	T280×250	280	250	533
	T315×63	315	63	370
	T315×75	315	75	370
	T315×90	315	90	390
	T315×110	315	110	390
	T315×125	315	125	480
	T315×160	315	160	480
	T315×200	315	200	480
	T315×250	315	250	600
	T355×110	355	110	410
	T355×160	355	160	500
	T355×200	355	200	656
	T355×250	355	250	660
	T355×315	355	315	565
	T400×110	400	110	410
	T400×160	400	160	490
	T400×200	400	200	490
	T400×250	400	250	700
	T400×315	400	315	700
	T450×110	450	110	375
	T450×160	450	160	464
	T450×200	450	200	464
	T450×225	450	225	545
	T450×250	450	250	545
	T450×315	450	315	600
	T450×400	450	400	670
	T500×110	500	110	398
	T500×160	500	160	495
	T500×200	500	200	495
	T500×225	500	225	545
	T500×250	500	250	545

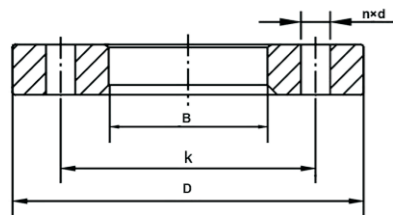
PRODUCT NAME					
Reducing Tee	CODE	SIZE (mm)	DIMENSION (mm)		
	RS-3038		D	d	L
			T500×315	500	315
		T500×400	500	400	705
		T500×450	500	450	800
		T560×110	560	110	410
		T560×160	560	160	450
		T560×200	560	200	508
		T560×250	560	250	545
		T560×315	560	315	545
		T560×400	560	400	605
		T560×450	560	450	720
		T560×500	560	500	825
		T630×110	630	110	825
		T630×160	630	160	475
		T630×200	630	200	475
		T630×225	630	225	550
		T630×250	630	250	555
		T630×315	630	315	555
		T630×400	630	400	665
		T630×450	630	450	725
		T630×500	630	500	808
		T710×110	710	110	808
		T710×160	710	160	530
		T710×200	710	200	585
		T710×225	710	225	630
		T710×250	710	250	630
		T710×315	710	315	710
		T710×400	710	400	790
		T710×500	710	500	890
		T710×630	710	630	1020
		T800×110	800	110	590
		T800×160	800	160	590
		T800×200	800	200	630
		T800×250	800	250	720
		T800×315	800	315	800
		T800×400	800	400	850
		T800×500	800	500	1020
		T800×630	800	630	1100
		T800×710	800	710	1100



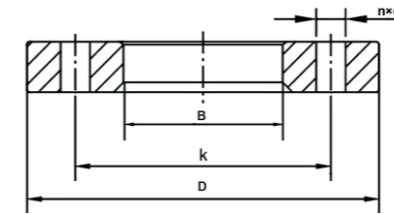
PRODUCT NAME						
Stub Flange	CODE	SIZE (mm)	DIMENSION (mm)			
	RS-3039		D	d	L	B
			63	102	63	81
		75	122	75	85	72
		90	138	90	88	72
		110	153	110	105	86
		125	158	125	103	85
		140	188	140	120	100
		160	207	160	124	103
		180	212	180	134	109
		200	263	200	134	105
		225	266	225	140	115
		250	317	250	151	119
		280	320	280	173	136
		315	370	315	173	134
		355	425	355	186	153
		400	476	400	197	160
		450	526	450	182	142
		500	575	500	224	172
		560	630	560	225	174
		630	690	630	241	186
		710	785	710	220	160
		800	875	800	220	160
		900	1000	900	230	170
		1000	1100	1000	260	200
		1200	1300	1200	300	225



PRODUCT NAME							
Steel Backing Rings PN1.0Mpa	CODE	SIZE (mm)	DIMENSION (mm)				
	RS-3040		D	K	B	n	d
		F110	220	180	115	8	18
		F125	250	210	130	8	18
		F140	250	210	145	8	18
		F160	285	240	165	8	22
		F180	285	240	185	8	22
		F200	340	295	205	8	22
		F225	340	295	230	8	22
		F250	395	350	255	12	22
		F280	395	350	285	12	22
		F315	445	400	320	12	22
		F355	505	460	360	16	22
		F400	565	515	408	16	26
		F450	615	565	458	20	26
		F500	670	620	508	20	26
		F560	780	725	568	20	30
		F630	780	725	638	20	30
		F710	895	840	720	24	30
		F800	1015	950	810	24	33
		F900	1115	1050	910	28	33
		F1000	1230	1160	1010	28	36
		F1200	1455	1380	1210	32	39



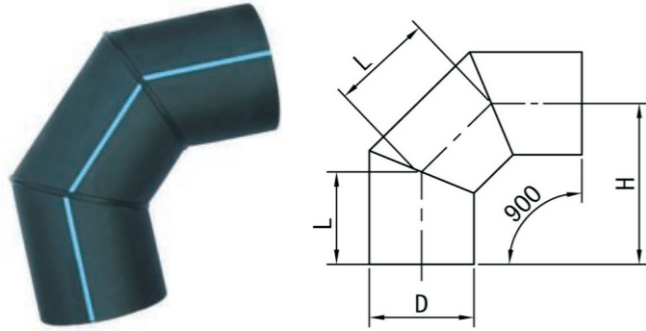
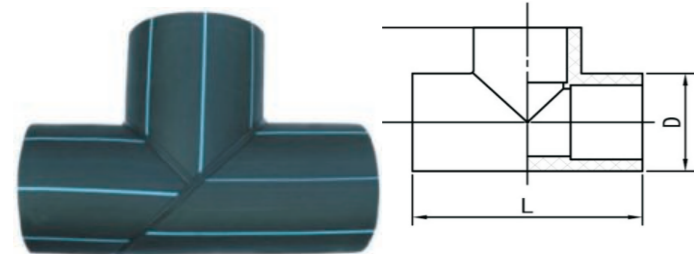
PRODUCT NAME							
Steel Backing Rings PN1.6Mpa	CODE	SIZE (mm)	DIMENSION (mm)				
	RS-3040		D	K	B	n	d
		F110	220	180	115	8	18
		F125	250	210	130	8	18
		F140	250	210	145	8	18
		F160	285	240	165	8	22
		F180	285	240	185	8	22
		F200	340	295	205	12	22
		F225	340	295	230	12	22
		F250	405	355	255	12	26
		F280	405	355	285	12	26
		F315	460	410	320	12	26
		F355	520	470	360	16	26
		F400	580	525	408	16	30
		F450	640	585	458	20	30
		F500	715	650	508	20	33
		F560	840	770	568	20	36
		F630	840	770	638	20	36

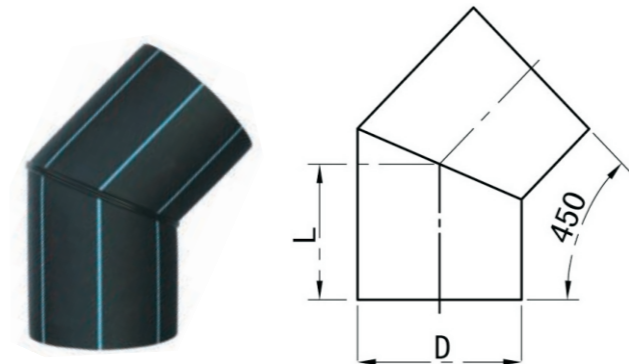
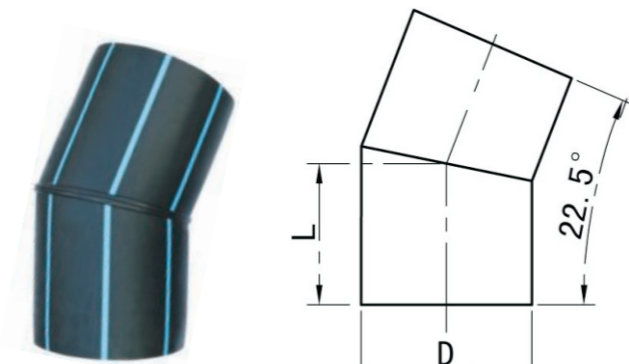
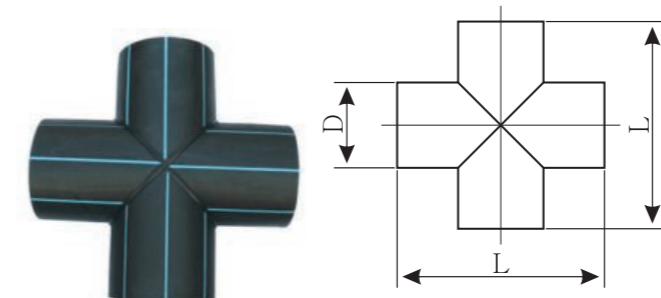


Remark:

- ※The fittings sizes DN63-315 are available to be provided in SDR11 & SDR13.6
- ※The fittings sizes DN355 & DN400 can be provided in SDR11 & SDR17
- ※The fittings sizes DN450-800 in SDR17

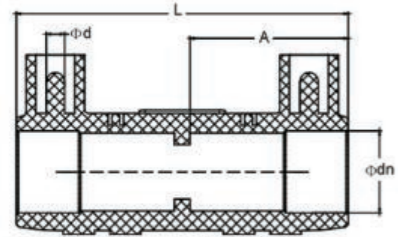
FABRICATED FITTINGS

PRODUCT NAME					
Elbow 90° 	CODE	SIZE (mm)	DIMENSION (mm)		
	RS-3041		D	L	H
		L315×90°	315	320	546
		L355×90°	355	340	580
		L400×90°	400	360	615
		L450×90°	450	380	649
		L500×90°	500	410	700
		L560×90°	560	440	751
		L630×90°	630	490	836
		L710×90°	710	550	939
		L800×90°	800	620	1058
		L900×90°	900	650	1110
		L1000×90°	1000	680	1161
		L1200×90°	1200	700	1195
<hr/>					
Equal Tee 	RS-3042	250	250	740	370
		280	280	740	370
		315	315	760	380
		355	355	880	440
		400	400	1000	500
		450	450	1080	540
		500	500	1180	590
		560	560	1280	640
		630	630	1380	690
		710	710	1600	800
		800	800	1700	850
		900	900	1800	900
		1000	1000	1900	950
	1200	1200	2000	1000	

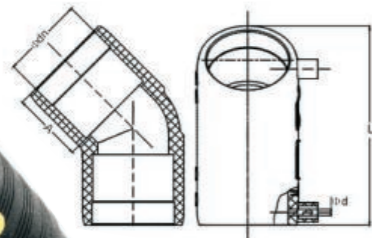
PRODUCT NAME				
Elbow 45° 	CODE	SIZE (mm)	DIMENSION (mm)	
	RS-3043		D	L
		L315×45°	315	320
		L355×45°	355	340
		L400×45°	400	360
		L450×45°	450	380
		L500×45°	500	410
		L630×45°	630	490
		L710×45°	710	600
		L800×45°	800	700
		L900×45°	900	750
		L1000×45°	1000	800
		L1200×45°	1200	850
	<hr/>			
ELBOW 22.5° 	RS-3044	L250×22.5°	250	200
		L280×22.5°	280	230
		L315×22.5°	315	250
		L355×22.5°	355	300
		L400×22.5°	400	330
		L450×22.5°	450	370
		L500×22.5°	500	410
		L560×22.5°	560	460
		L630×22.5°	630	510
		L710×22.5°	710	580
		L800×22.5°	800	590
		L900×22.5°	900	600
		L1000×22.5°	1000	650
	L1200×22.5°	1200	700	
<hr/>				
Cross Fittings 	RS-3045	X250	250	740
		X280	280	740
		X315	315	760
		X355	355	880
		X400	400	1000
		X450	450	1080
		X500	500	1180
		X560	560	1280
		X630	630	1380
		X710	710	1600
		X800	800	1700
		X900	900	1800
		X1000	1000	1900
	X1200	1200	2000	

Electro Fusion Fittings

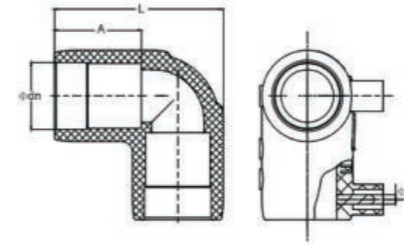
PRODUCT NAME					
Equal Coupler					
CODE	SIZE (mm)	DIMENSION (mm)			
		A	dn	L	
RS-3046					
	S20	42	20	88	
	S25	43	25	88	
	S32	44	32	92	
	S40	51	40	105	
	S50	52	50	109	
	S63	54	63	111	
	S75	61	75	126	
	S90	74	90	153	
	S110	85	110	170	
	S125	95	125	191	
	S140	107	140	223	
	S160	101	160	214	
	S180	98	180	200	
	S200	133	200	276	
	S250	126	250	260	
	S315	114	315	236	
	S355	133	355	275	
	S400	145	400	302	
	S450	159	450	328	
	S500	172	500	367	
	S560	194	560	395	
	S630	213	630	435	



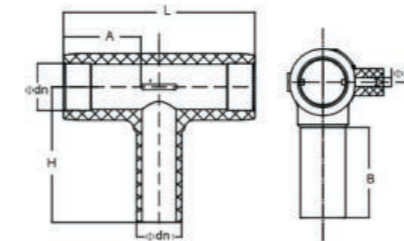
PRODUCT NAME					
Elbow 45°					
CODE	SIZE (mm)	DIMENSION (mm)			
		A	dn	L	B
RS-3047	L63×45°	46	63	152	
	L90×45°	70	90	215	
	L110×45°	87	110	280	
	L160×45°	111	160	365	
	L200×45°	178	200	525	



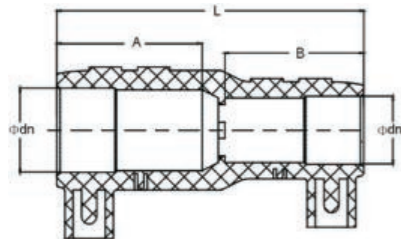
PRODUCT NAME					
Elbow 90°					
CODE	SIZE (mm)	DIMENSION (mm)			
		A	dn	L	B
RS-3048					
	L20×90°	47	20	77	
	L25×90°	44	25	77	
	L32×90°	43	32	79	
	L40×90°	56	40	101	
	L50×90°	59	50	112	
	L63×90°	63	63	140	
	L75×90°	76	75	161	
	L90×90°	84	90	185	
	L110×90°	107	110	229	
	L125×90°	105	125	250	
	L140×90°	116	140	277	
	L160×90°	117	160	295	
	L200×90°	156	200	378	
	L250×90°	141	250	416	
	L315×90°	125	315	474	
	L355×90°	138	355	532	
	L400×90°	147	400	593	
	L450×90°	162	450	650	
	L500×90°	176	500	736	



PRODUCT NAME					
Equal Tee					
CODE	SIZE (mm)	DIMENSION (mm)			
		A	dn	L	B
RS-3049					
	T25	42	25	105	43
	T32	50	32	124	44
	T40	54	40	145	48
	T50	56	50	149	53
	T63	62	63	174	55
	T75	64	75	190	61
	T90	85	90	246	77
	T110	78	110	254	88
	T125	95	125	294	93
	T160	112	160	361	108
	T200	119	200	439	129
	T250	121	250	465	128
	T315	121	315	462	125
	T400	151	400	627	159
	T450	162	450	696	171
	T500	180	500	771	192



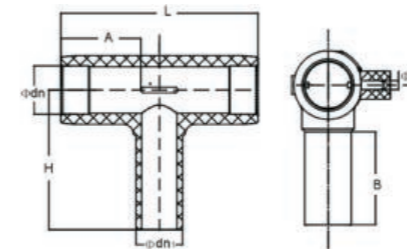
PRODUCT NAME						
Reducer						
CODE	SIZE (mm)	DIMENSION (mm)				
RS-3050		A	B	dn	dn1	L
	32×25	46	44	32	25	98
	40×32	51	49	40	32	108
	50×32	54	52	50	32	116
	50×40	54	46	50	40	114
	63×25	69	53	63	25	146
	63×32	63	56	63	32	131
	63×40	64	57	63	40	136
	63×50	69	55	63	50	136
	75×63	91	61	75	63	154
	90×50	74	62	90	50	160
	90×63	75	64	90	63	159
	90×75	75	72	90	75	160
	110×50	102	62	110	50	195
	110×63	102	79	110	63	208
	110×90	108	80	110	90	210
	125×110	109	91	125	110	220
	160×90	111	88	160	90	241
	160×110	112	91	160	110	237
	160×125	115	95	160	125	241
	200×160	126	105	200	160	258






PRODUCT NAME						
Reducing Tee						
CODE	SIZE (mm)	DIMENSION (mm)				
RS-3051		dn1	A	dn	L	B
	T63×20	20	56	63	155	41
	T63×25	25	56	63	155	40
	T63×32	32	56	63	155	38
	T63×40	40	57	63	155	45
	T63×50	50	61	63	173	50
	T75×32	32	64	75	187	40
	T75×40	40	66	75	188	43
	T75×50	50	62	75	188	49
	T75×63	63	64	75	187	55
	T90×32	32	86	90	247	62
	T90×40	40	86	90	247	66
	T90×50	50	85	90	247	61



PRODUCT NAME						
Reducing Tee						
CODE	SIZE (mm)	DIMENSION (mm)				
RS-3051		dn1	A	dn	L	B
	T90×63	63	85	90	248	69
	T90×75	75	86	90	245	74
	T110×32	32	84	110	245	51
	T110×40	40	86	110	245	56
	T110×50	50	86	110	244	61
	T110×63	63	84	110	242	67
	T110×75	75	85	110	243	75
	T110×90	90	83	110	244	78
	T125×110	110	97	125	294	91
	T160×63	63	112	160	362	74
	T160×75	75	113	160	365	82
	T160×90	90	110	160	359	86
	T160×110	110	112	160	362	98
	T200×63	63	143	200	440	94
	T200×75	75	141	200	436	71
	T200×90	90	138	200	439	80
	T200×110	110	132	200	440	95
	T200×160	160	120	200	438	116
	T250×90	90	123	250	468	87
	T250×110	110	120	250	461	99
	T250×160	160	119	250	458	104
	T250×200	200	123	250	464	112
	T315×110	110	134	315	515	108
	T315×160	160	134	315	515	122
	T315×200	200	134	315	515	128
	T315×250	250	134	315	515	144
	T400×110	110	152	400	633	109
	T400×160	160	152	400	633	129
	T400×200	200	152	400	633	133
	T400×250	250	152	400	633	164
	T400×315	315	152	400	633	166
	T450×110	110	164	450	701	104
	T450×160	160	164	450	701	124
	T450×200	200	164	450	701	134
	T450×250	250	164	450	701	164
	T450×315	315	164	450	701	170
	T450×400	400	164	450	701	186
	T500×110	110	178	500	771	107
	T500×200	200	178	500	771	137
	T500×250	250	178	500	771	150
	T500×315	315	178	500	771	166



Welding Machines

PRODUCT NAME				
	Butt Fusion Welding Machine	CODE	SIZE (mm)	AVAILABLE WELDING SIZES (mm)
		RS63-160BF	63-160	63/75/90/110/125/140/160
		RS63-200BF	63-200	63/75/90/110/125/140/160/180/200
		RS90-250BF	90-250	90/110/125/140/160/180/200/225/250
		RS160-315BF	160-315	160/180/200/225/250/280/315
		RS280-450BF	280-450	280/315/355/400/450
		RS400-630BF	400-630	400/450/500/560/630
		RS630-800BF	630-800	630/710/800
	Socket fusion Welding Machine	RS20-32SF	20-32	20/25/32
		RS20-63SF	20-63	20/25/32/40/50/63
		RS63-110SF	63-110	63/75/90/110
	Electrofusion Welding Machine	RS20-315EF	20-315	20/25/32/40/50/63/75/90/110/125/140/160/180/200/225/250/280/315
		RS355-630EF	355-630	355/400/450/500/560/630

